


Hinowa[®]
Presents



Tracked Forklift TP1600

**With elevating system of the load
and Hydraulic widening 1240÷1800**



**CLOSED
UNDERCARRIAGE**



**OPENED
UNDERCARRIAGE**

PATENTED!

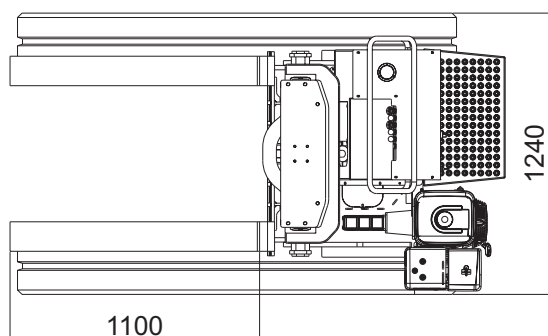
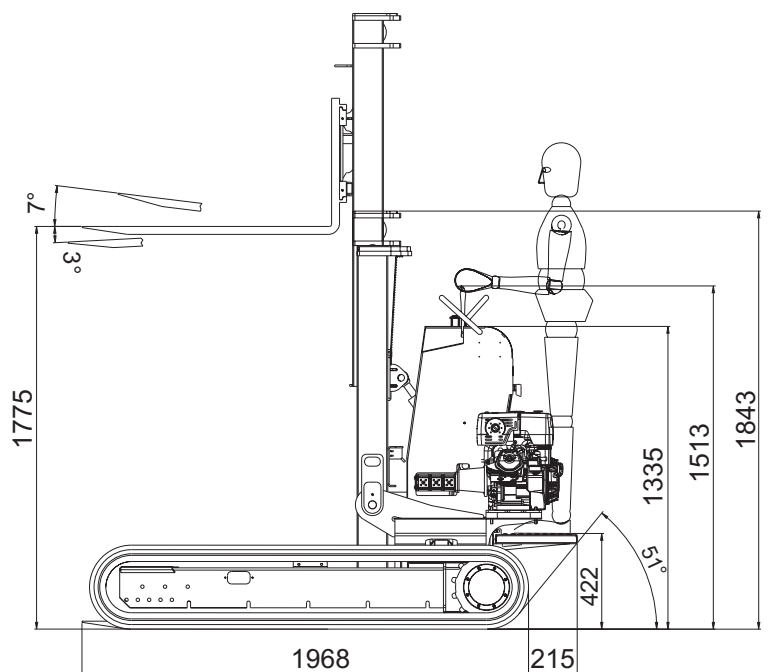
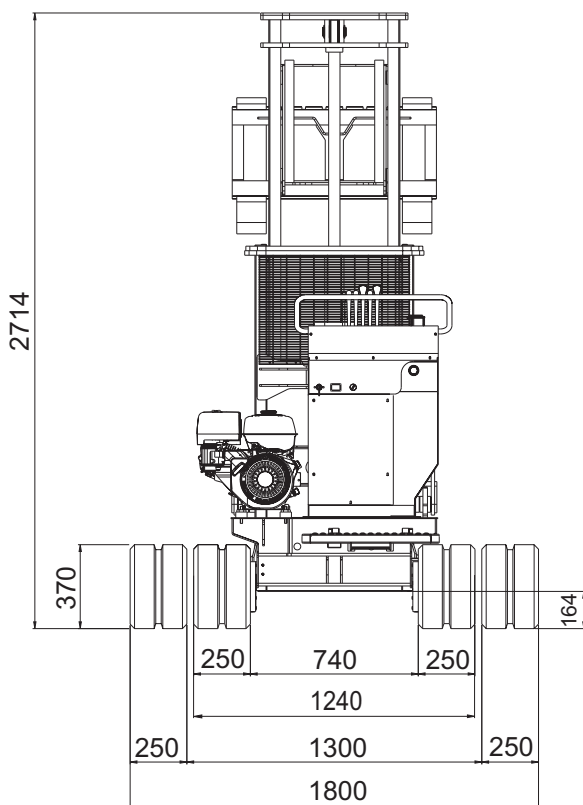


Tracked Forklift TP1600

With elevating system of the load and Hydraulic widening 1240÷1800

TECHNICAL DATA

HONDA ENGINE	GX390
PISTONS AND DISPLACEMENT	1/389 cc
MAX GROSS POWER @ REV/MIN	13 CV/3600 rpm
MAX GROSS POWER	3500 rpm
TRANSLATION ON SPEED.....	1,5/2,2 km/h
OPERATING WEIGHT WITHOUT OPERATOR.....	1330 kg
MAX CAPACITY	1600 kg



NEW!